

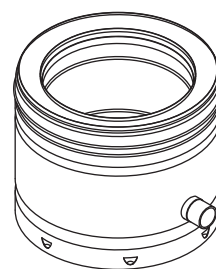
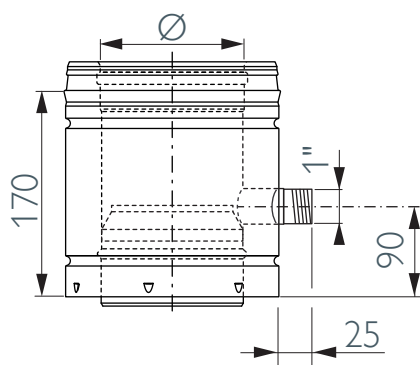
# ADEMC

Length with drain, vertical

Entwässerungselement, senkrecht

Élément de purge, vertical

Condenselement, verticaal



$\varnothing$	130	150	180	200	250	300	350	400	450	500	600
SAPcode	158921	158922	158923	158924	158925	158926	158927	158928	158929	158930	158931