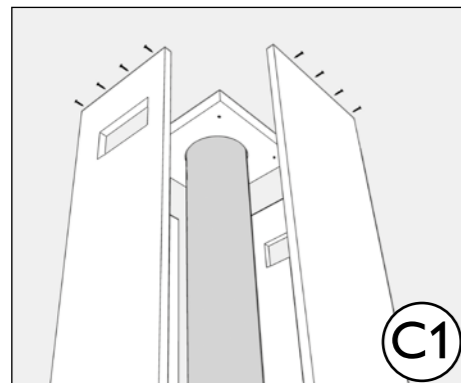
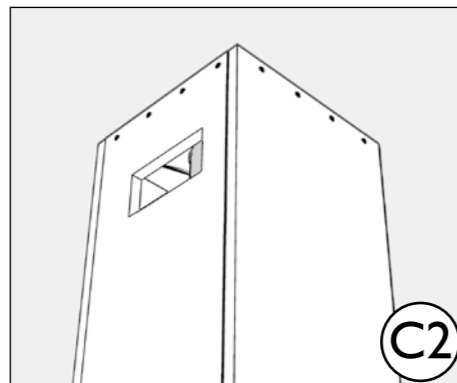


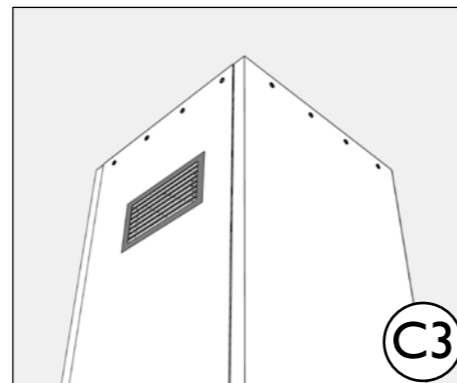
Encasing (Optional)



Cut casing material and make ventilation openings

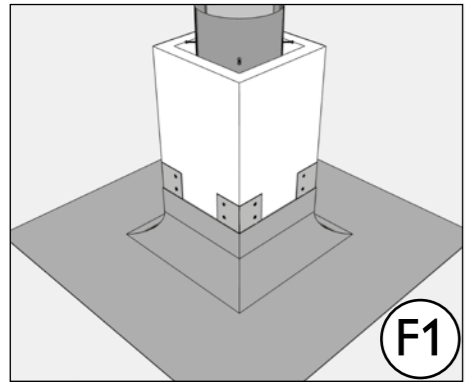


Fix the casing material sheets to the Iso-block and to each other

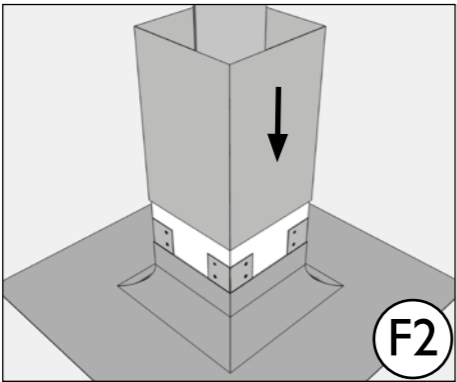


Place and fix the openings with grills (effective opening 200 cm²)

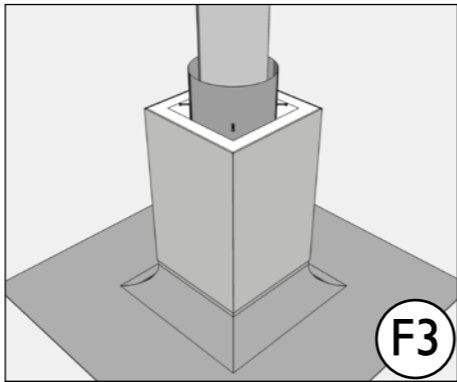
Finish outside The Iso-block must be protected against weather conditions



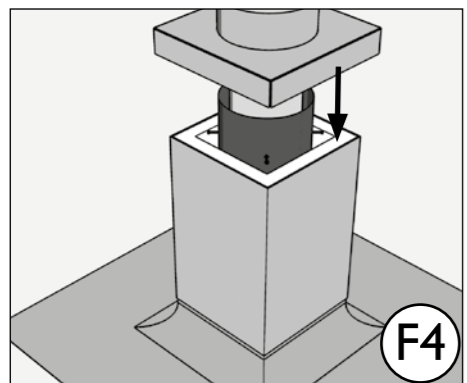
The roof penetration must be made water tight



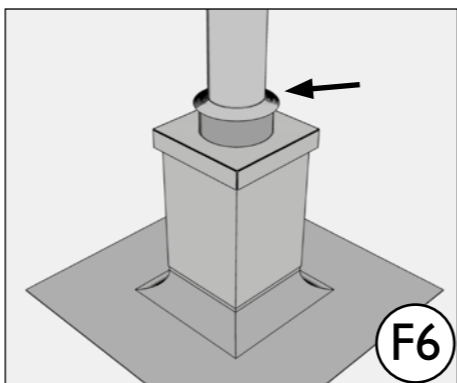
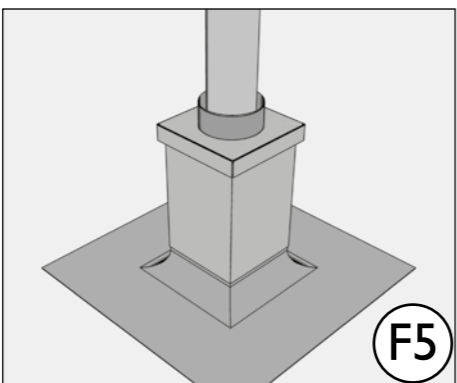
Adjust the length of the metal cover



Fix the cover onto the Iso-block



Place ventilation plate



Place the ventilated storm collar and seal it to the chimney



ISO-BLOCK HIGH

Mounting instructions

EN

General instructions for installation of Iso-block

- The system must be built according to the instructions of the manufacturer and the national regulations.
- The Iso-block is unsuitable for wall passage.
- The Iso-block is unsuitable for supporting the chimney in axial direction.
- Let the roof finish be carried out by a specialist.

Preparations

- Check the parts for possible damage before usage.
- Check if all parts are included.
- Avoid blockage of the ventilation openings.
- Make a hole in the roof, use the dimensions in table 1 as a guideline.

Parts (Fig. 1)

- 1 + 3 Iso-block
- 2 Sealing cord
- 4 Square finish/Rosette (optional)
- 5 Spacers (4x)
- 6 Ventilation plate
- 7 Sleeve
- 8 Extension block (part of Extension set, optional)
- 9 Extension brackets (part of Extension set, optional) (4x)
- 10 Extension sleeve (part of Extension set, optional)

Construction situations

x (mm)	y (mm) at roof angle				
	10°	20°	30°	40°	50°
320	325	341	370	418	498
365	371	388	421	476	568
430	437	458	497	561	669

Table 1x= block-size

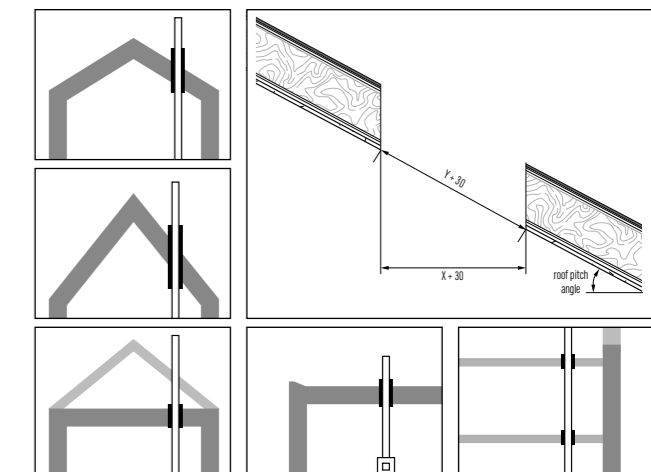
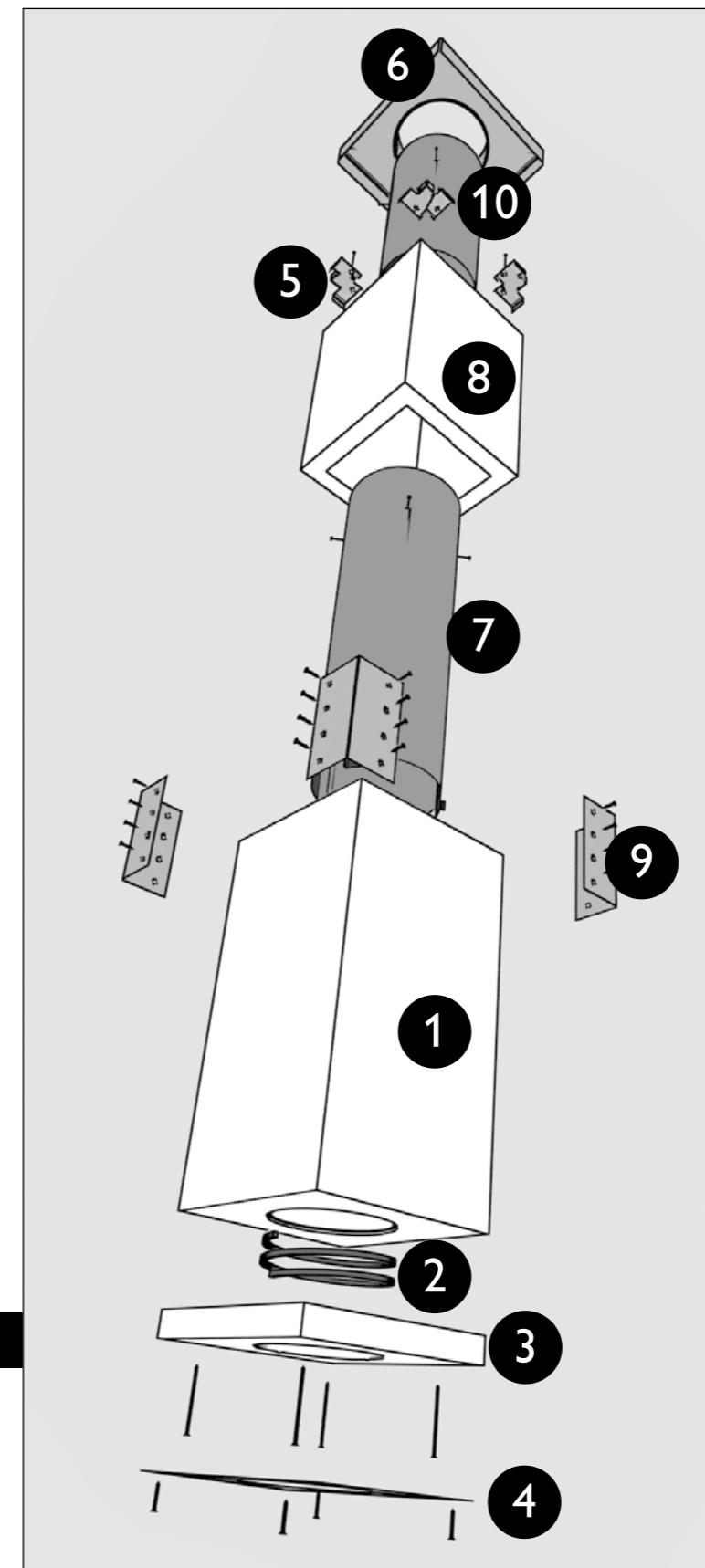
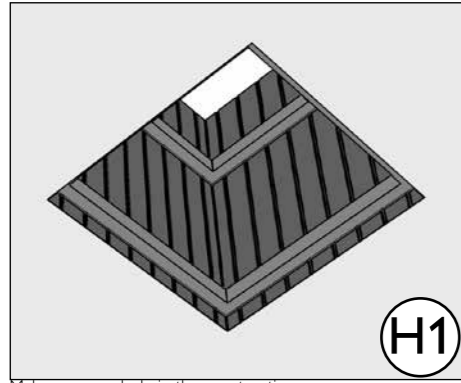


Figure 1

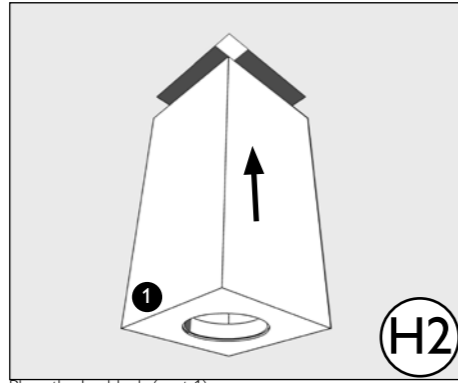
ISO-BLOCK-HIGHmontage_F_EN

Iso-block High



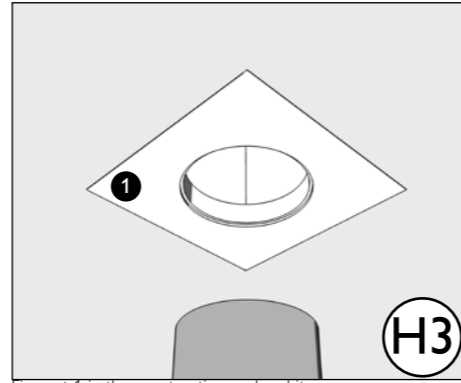
Make a square hole in the construction

H1



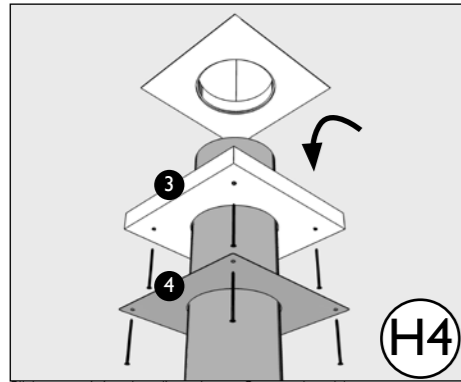
Place the Iso-block (part 1)

H2



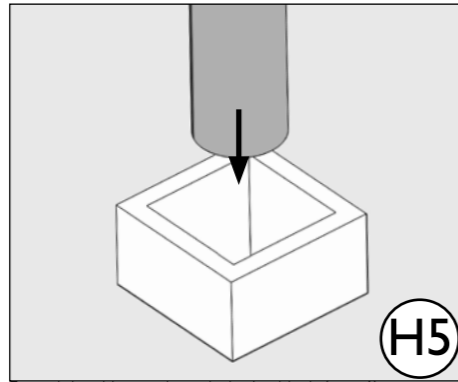
Fix part 1 in the construction and seal it

H3



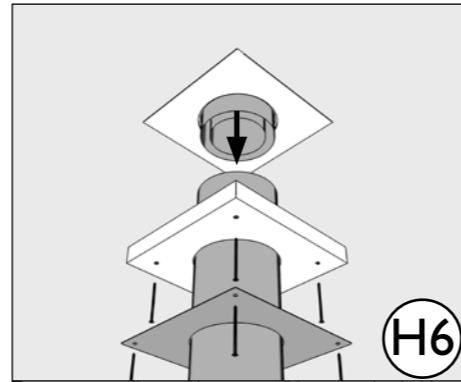
Slide part 4 (optional) and part 3 over the chimney

H4



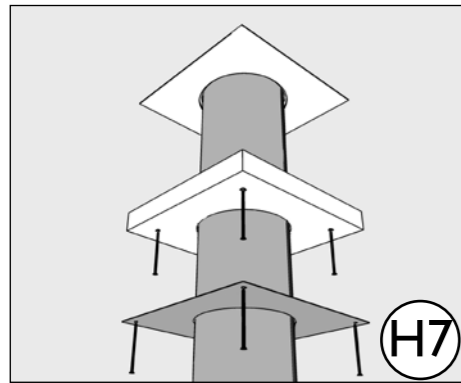
Extend the chimney through the Iso-block (part 1)

H5



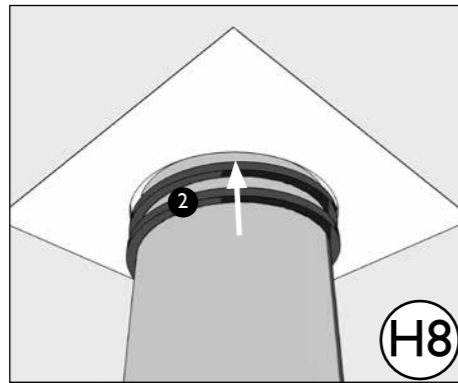
To prevent coupling problems, a possible connection inside the Iso-Block must be made in advance

H6



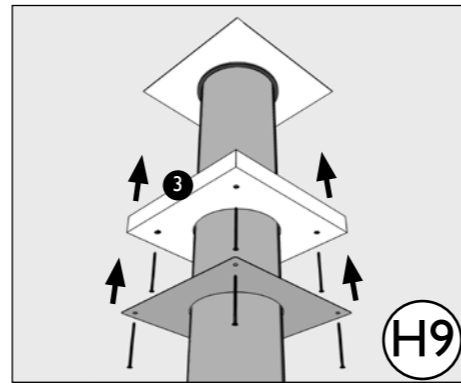
Connect the chimney under the Iso-block, place the locking band after installation of the Iso-block

H7



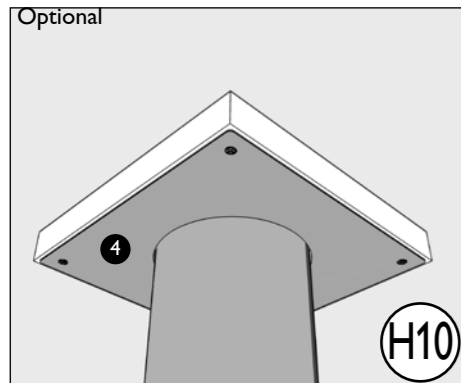
Wrap part 2 around the chimney two times and press it in the chamber

H8



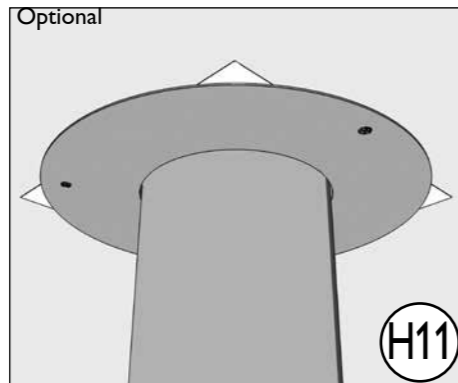
Place part 3 to hold the seal in its place

H9



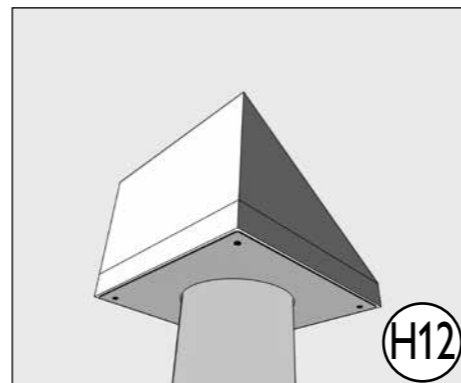
Place a square finish plate (part 4)

H10



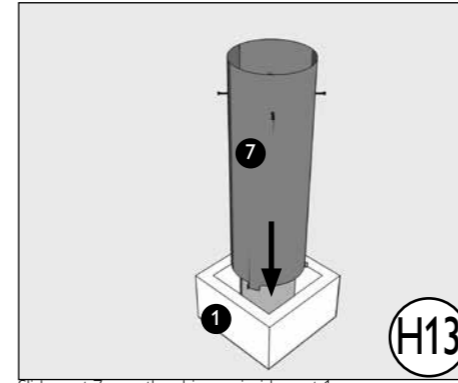
Place a rosette / the Iso-Block must be mounted flush with the ceiling

H11



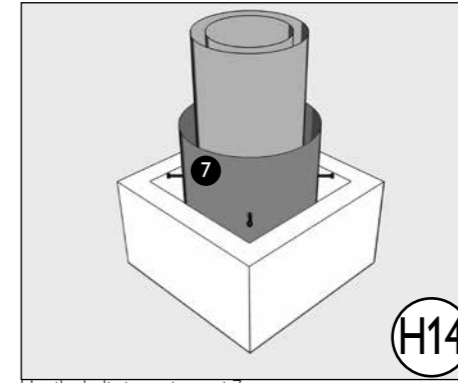
For sloped ceilings, only a square finish is possible

H12



Slide part 7 over the chimney, inside part 1

H13

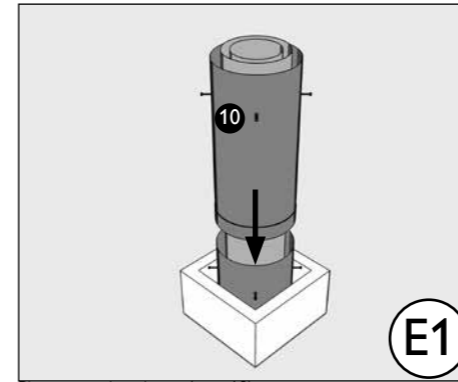


Use the bolts to centre part 7

H14

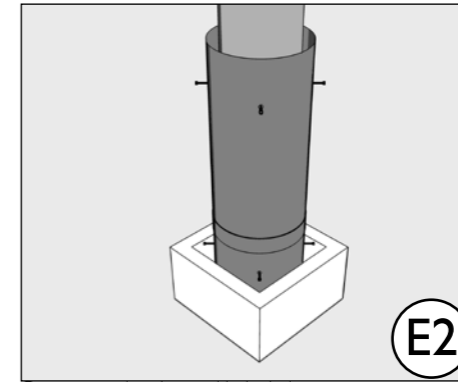
If necessary the Iso-Block can be extended > see E1 - E5
For finishing inside > see H15 - H17
For finishing outside > see F1 - F6

Extension set



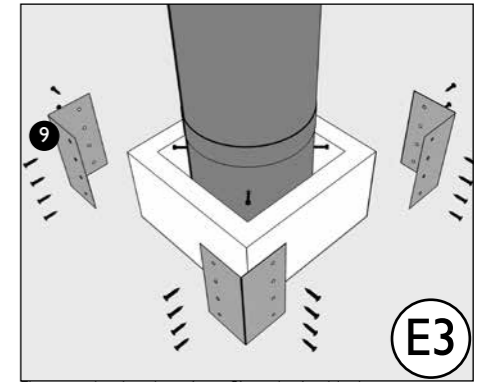
Place extension sleeve (part 10)

E1



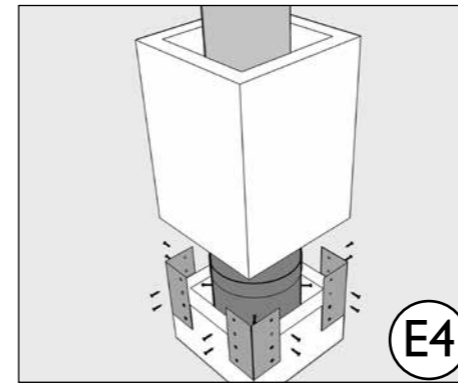
Center extension sleeve with the bolts

E2



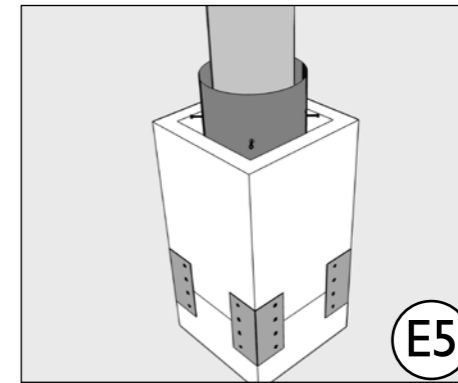
Fix extension brackets (part 9) to the Iso-block

E3



Place extension block onto the lower block

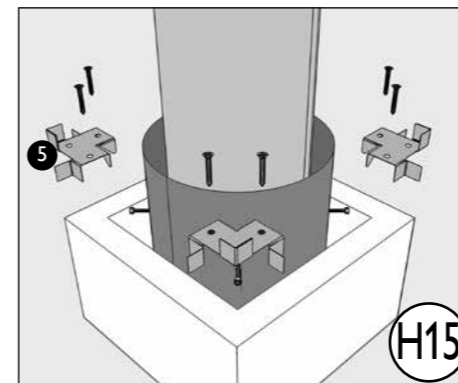
E4



Fix the extension block

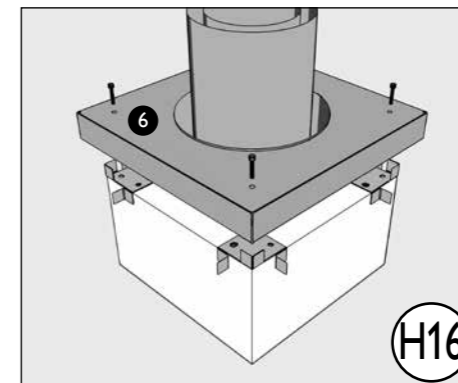
E5

For finishing inside > see H15 - H17
For finishing outside > see F1 - F6



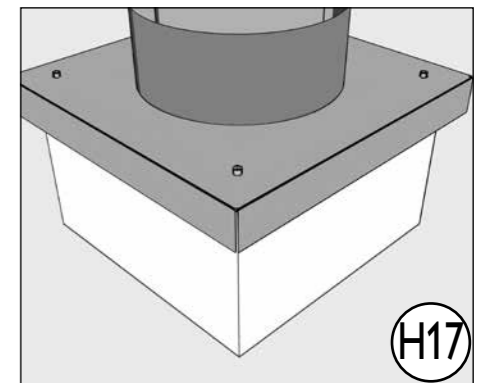
Place part 5 (4x)

H15



Place part 6

H16



Fix part 6 with the bolts (4x)

H17