



ISO-BLOCK LOW

Mounting instructions

EN

General instructions for installation of Iso-block

- The system must be built according to the instructions of the manufacturer and the national regulations.
- The Iso-block is unsuitable for wall passage.
- The Iso-block is unsuitable for supporting the chimney in axial direction.
- Let the roof finish be carried out by a specialist

Preparations

- Check the parts for possible damage before usage.
- Check if all parts are included.
- Avoid blockage of the ventilation openings.
- When using an enclosure, make sure that the ventilation openings have an effective opening of 200cm²

Parts (Fig. 1)

- 1 + 3** Iso-block
- 2** Sealing cord
- 4** Square finish/Rosette (optional)
- 5** Spacers (4x)
- 6** Ventilation plate

Construction situation

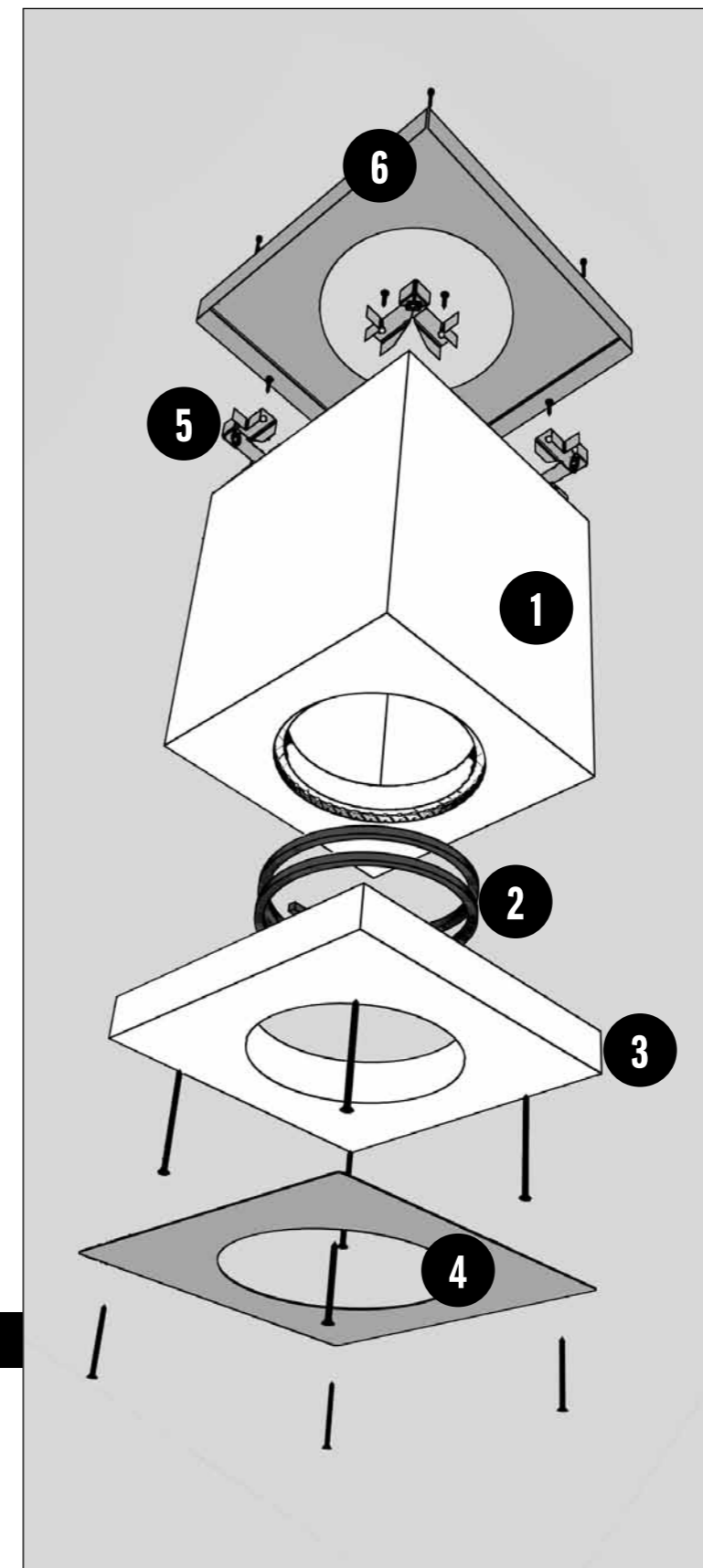
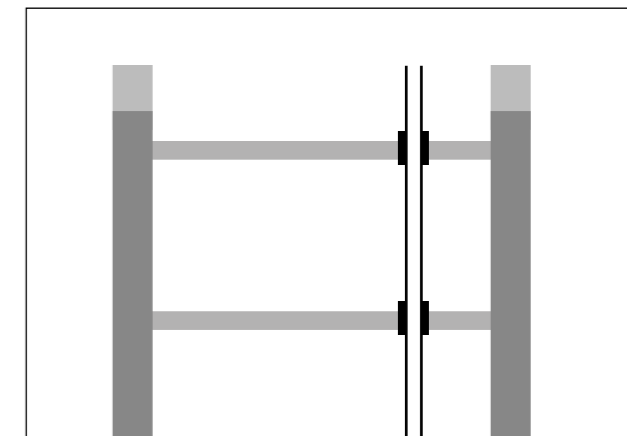


Figure 1

www.eontop.info

Ontop B.V.

Postbus 135, 4330 AC Middelburg
Oude Veerseweg 23, 4332 SH Middelburg
Nederland
T: +31 (0)118 68 99 00
F: +31 (0)118 68 99 99
E: info.nl@eontop.info

Ontop Abgastechnik GmbH

Albert-Einstein-Straße 8
51674 Wiehl
Deutschland
T: +49 (0)2261 708 -0
F: +49 (0)2261 708 90
E: info.de@eontop.info

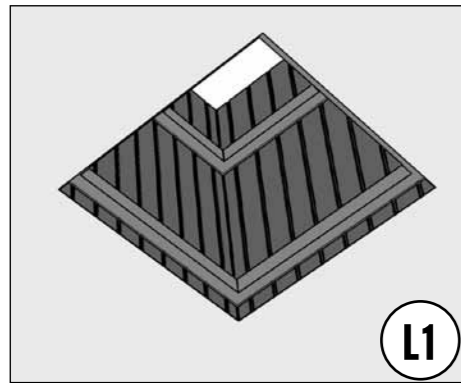
Metaloterm France S.A.R.L.

65, Avenue du Général de Gaulle
77420 Champs-sur-Marne
France
T: +33 (0)1 64 62 12 30
F: +33 (0)1 64 62 11 08
E: info.fr@eontop.info

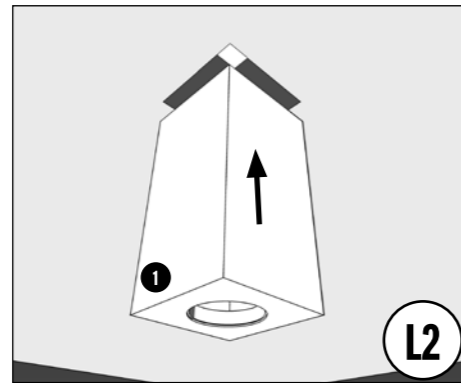
Ontop Polska Sp. z o.o.

ul. Hallera 75
98 - 100 Wiewiórczyn
Polska
T: +48 (0)43 676 33 66
F: +48 (0)42 209 10 57
E: info.pl@eontop.info

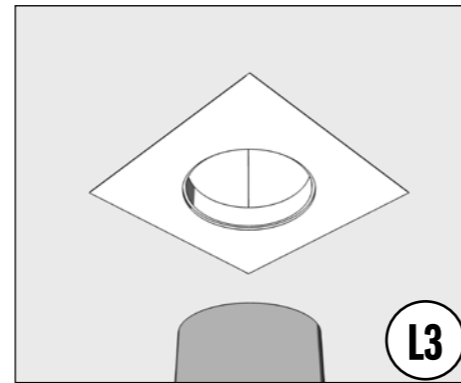
Iso-block Low



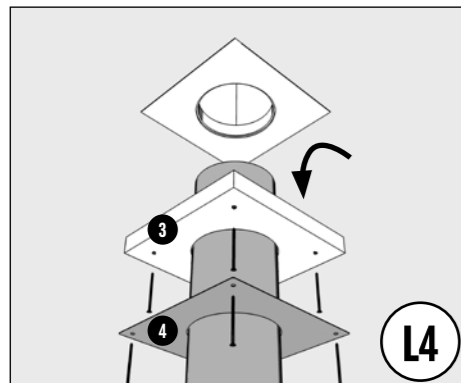
Make a square hole in the construction



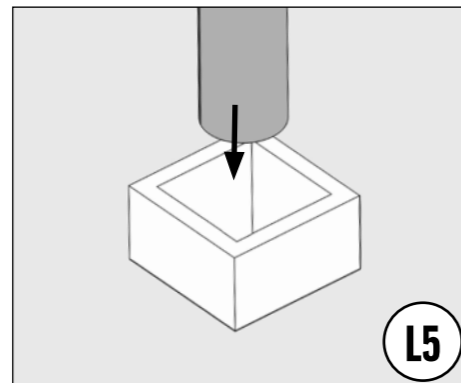
Place the Iso-Block (part 1)



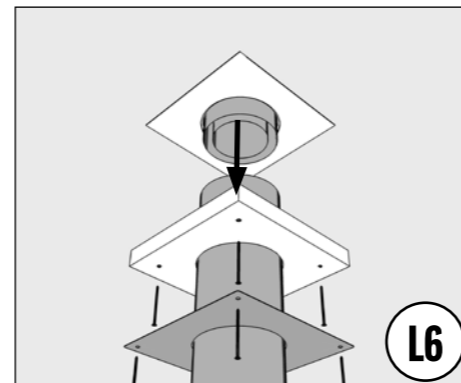
Fix the Iso-Block in the construction and seal it



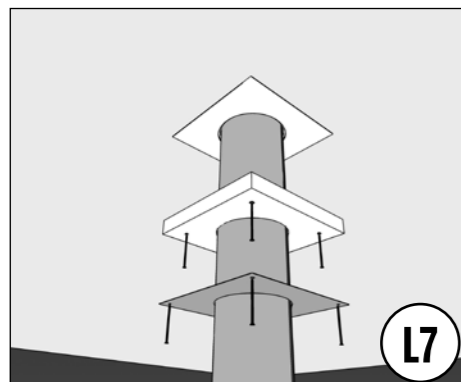
Slide part 4 (optional) and part 3 over the chimney



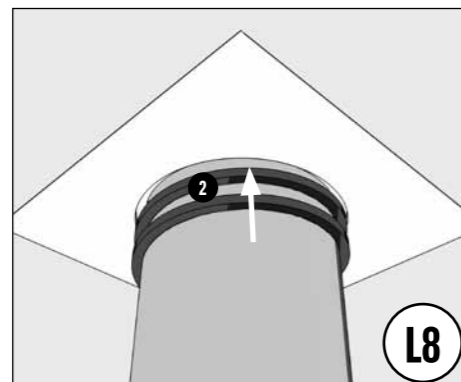
Extend the chimney through the Iso-Block (part 1)



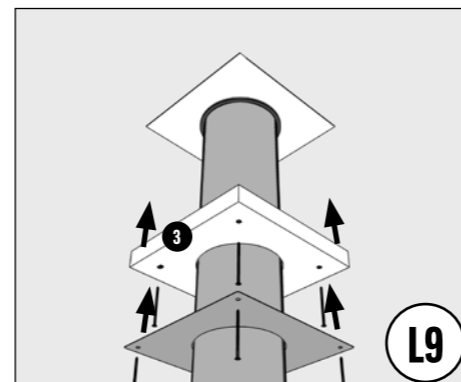
To prevent coupling problems, a possible connection inside the Iso-Block must be made in advance



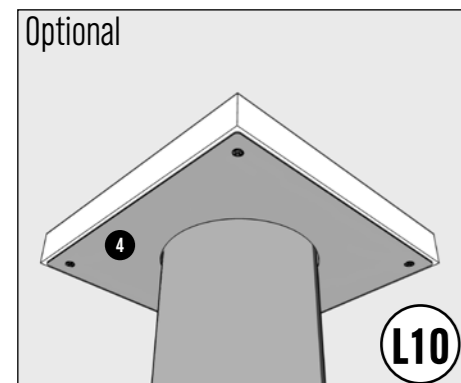
Connect the chimney under the Iso-block, place the locking band after installation of the Iso-block



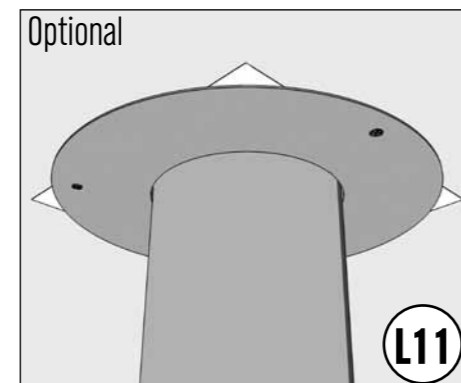
Wrap part 2 around the chimney two times and press it in the chamber



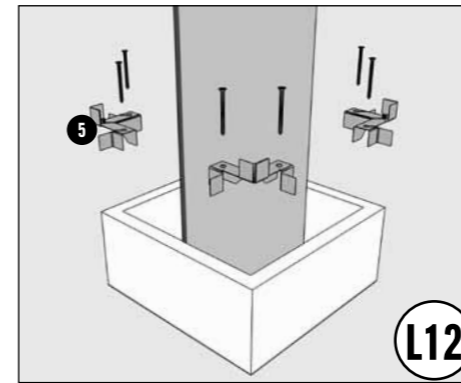
Place part 3 to hold the seal in its place



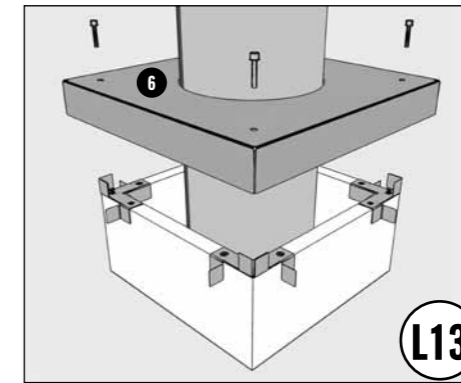
Place a square finish plate (part 4)



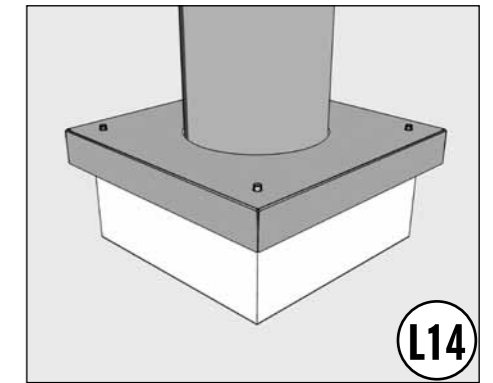
Place a rosette / the Iso-Block must be mounted flush with the ceiling



Place spacers, part 5 (4x)

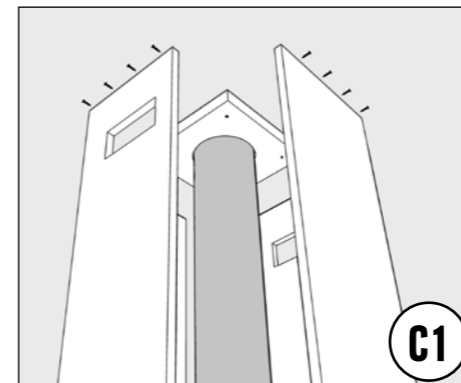


Place ventilation plate, part 6

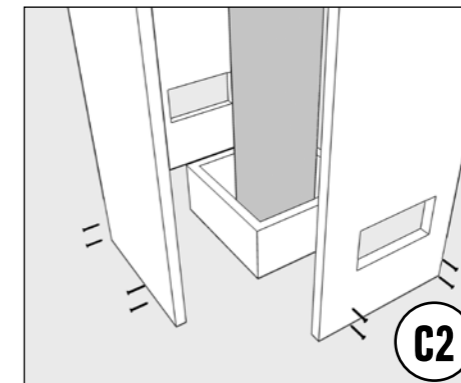


Fix part 6 with the bolts (4x)

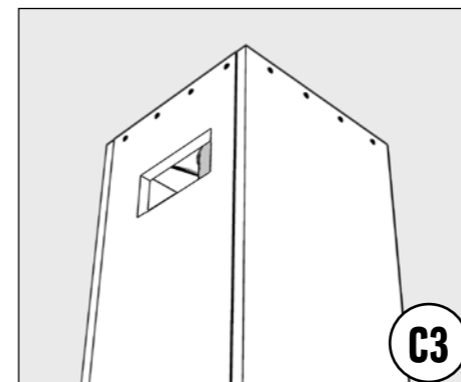
Encasing



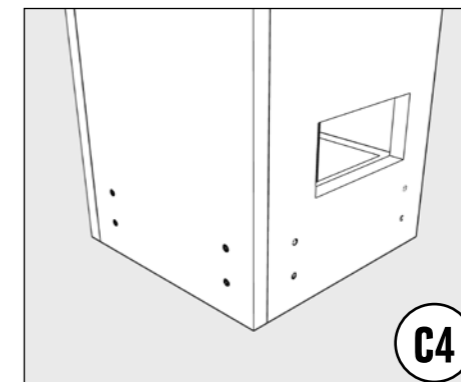
Cut casing material and make ventilation openings



Do not use the ventilation plate of the lower Iso-block



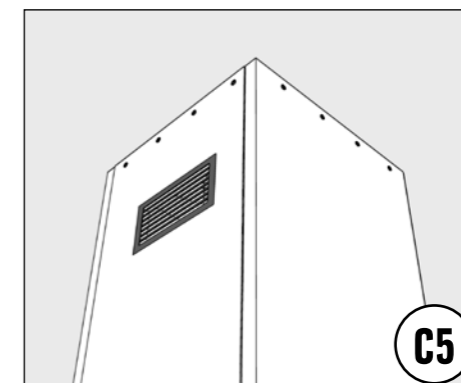
Fix the casing material sheets to the blocks and to each other



Fix the casing material sheets to the blocks and to each other



Place and fix the openings with grills (effective opening 200 cm²)



Make sure the ventilation openings stay free and are not blocked

