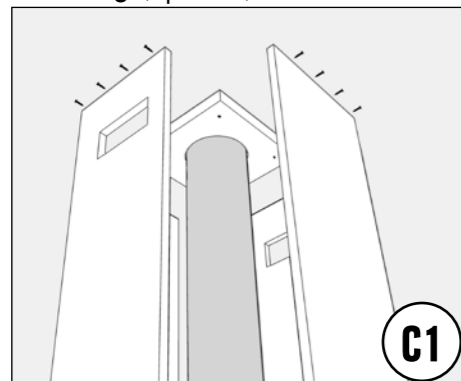
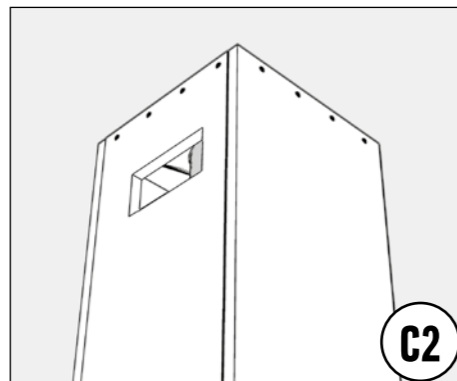


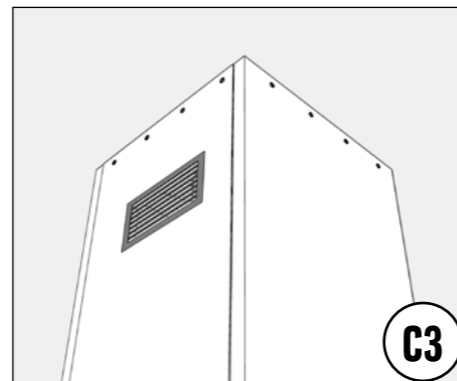
Encasing (Optional)



Cut casing material and make ventilation openings



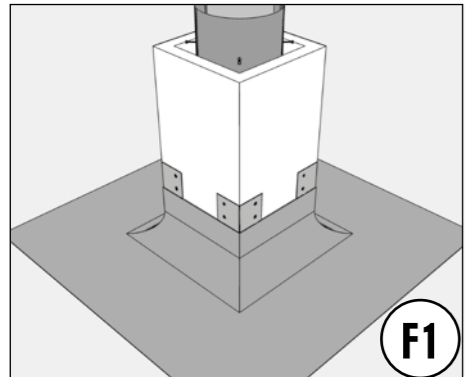
Fix the casing material sheets to the Iso-block and to each other



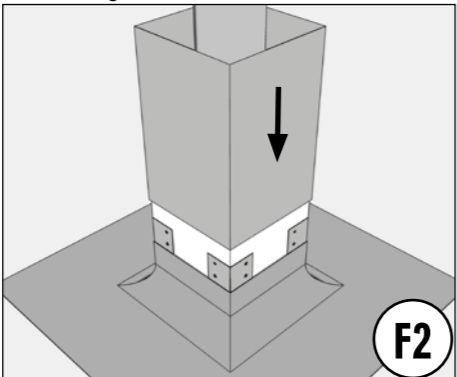
Place and fix the openings with grills (effective opening 200 cm²)

Finish outside

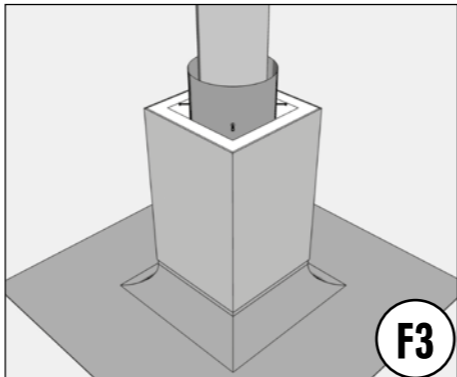
The Iso-block must be protected against weather conditions



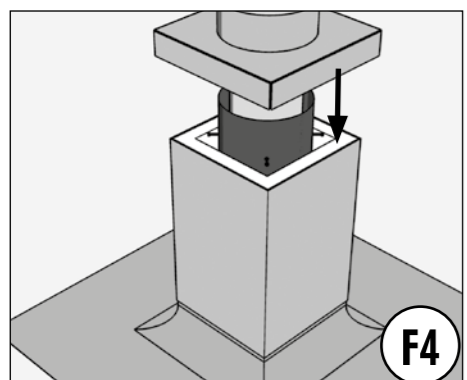
The roof penetration must be made water tight



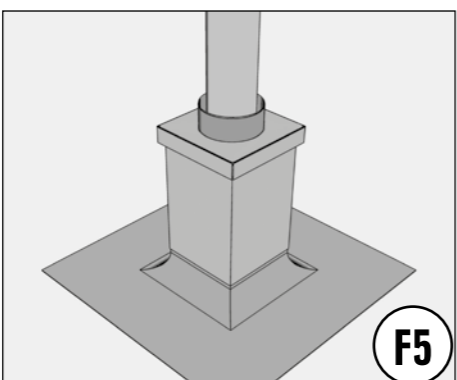
Adjust the length of the metal cover



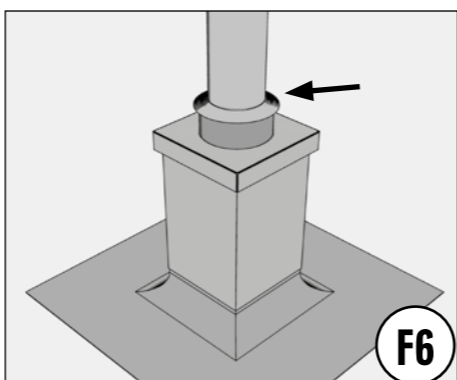
Fix the cover onto the Iso-block



Place ventilation plate



F5



Place the ventilated storm collar and seal it to the chimney



ISO-BLOCK HIGH

Mounting instructions

EN

General instructions for installation of Iso-block

- The system must be built according to the instructions of the manufacturer and the national regulations.
- The Iso-block is unsuitable for wall passage.
- The Iso-block is unsuitable for supporting the chimney in axial direction.
- Let the roof finish be carried out by a specialist.

Preparations

- Check the parts for possible damage before usage.
- Check if all parts are included.
- Avoid blockage of the ventilation openings.
- Make a hole in the roof, use the dimensions in table 1 as a guideline.

Parts (Fig. 1)

- 1 + 3 Iso-block
- 2 Sealing cord
- 4 Square finish/Rosette (optional)
- 5 Spacers (4x)
- 6 Ventilation plate
- 7 Sleeve
- 8 Extension block (part of Extension set, optional)
- 9 Extension brackets (part of Extension set, optional) (4x)
- 10 Extension sleeve (part of Extension set, optional)

Construction situations

x (mm)	y (mm) at roof angle				
	10°	20°	30°	40°	50°
320	325	341	370	418	498
365	371	388	421	476	568
430	437	458	497	561	669

Table 1 x= block-size

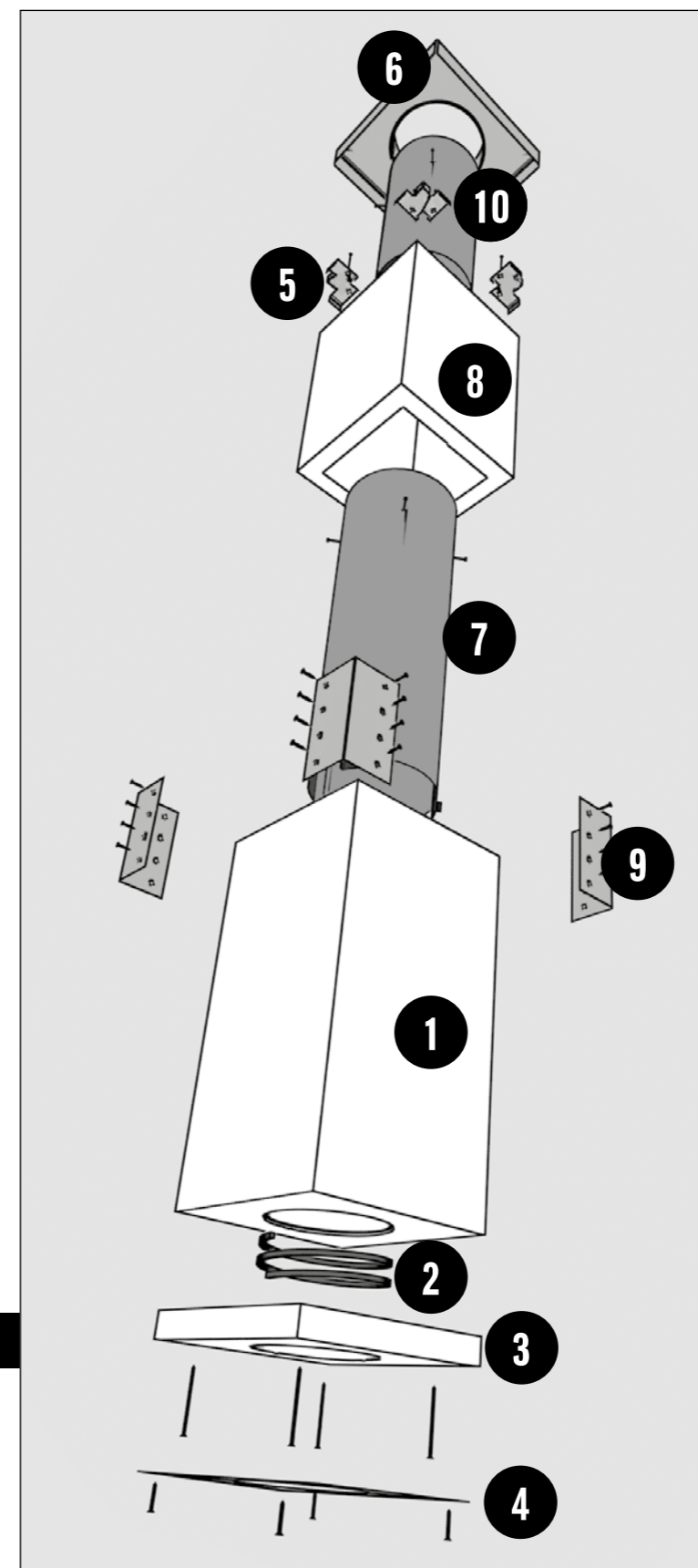
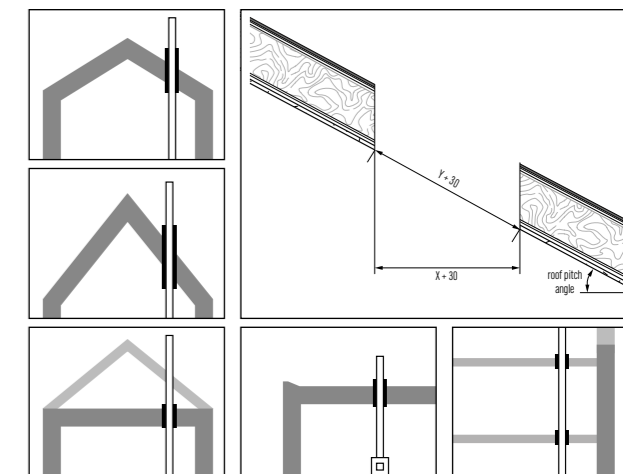


Figure 1



EONTOP
METALOTERM

www.eontop.info

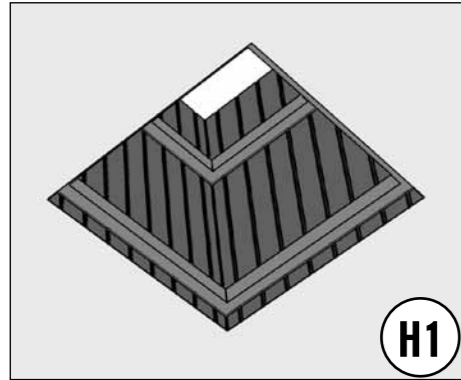
Ontop B.V.
Postbus 135, 4330 AC Middelburg
Oude Veerseweg 23, 4332 SH Middelburg
Nederland
T: +31 (0)118 68 99 00
F: +31 (0)118 68 99 99
E: info.nl@eontop.info

Ontop Abgastechnik GmbH
Albert-Einstein-Straße 8
51674 Wiehl
Deutschland
T: +49 (0)2261 708 -0
F: +49 (0)2261 708 90
E: info.de@eontop.info

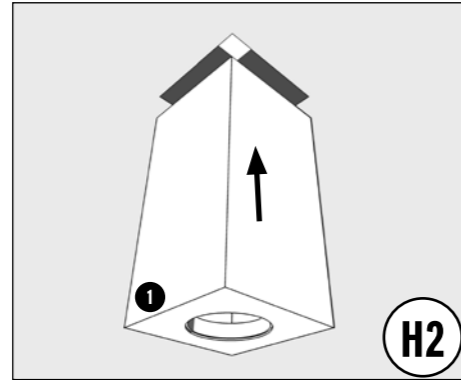
Metaloterm France S.A.R.L.
65, Avenue du Général de Gaulle
77420 Champs-sur-Marne
France
T: +33 (0)1 64 62 12 30
F: +33 (0)1 64 62 11 08
E: info.fr@eontop.info

Ontop Polska Sp. z o.o.
ul. Hallera 75
98 - 100 Wiewiórczyn
Polska
T: +48 (0)43 676 33 66
F: +48 (0)42 209 10 57
E: info.pl@eontop.info

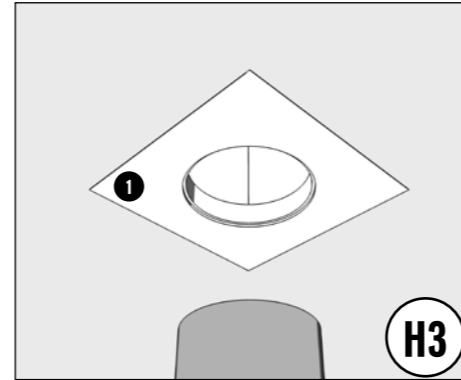
Iso-block High



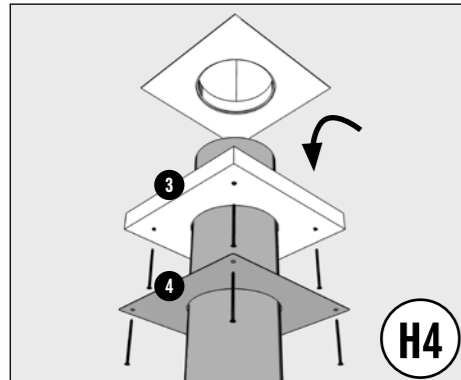
Make a square hole in the construction



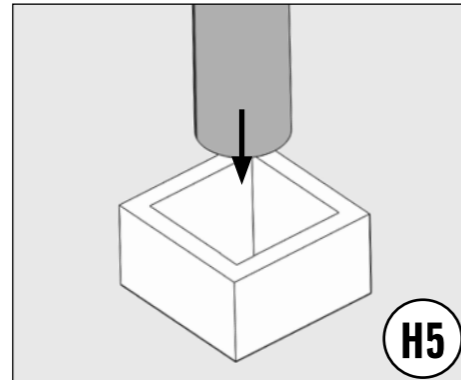
Place the Iso-block (part 1)



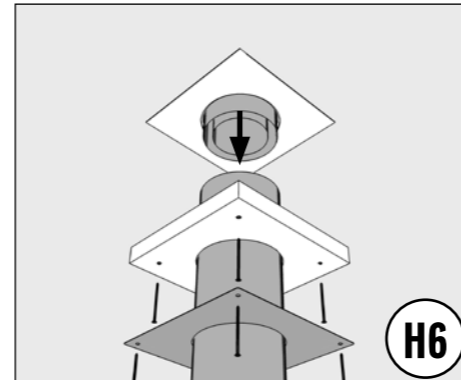
Fix part 1 in the construction and seal it



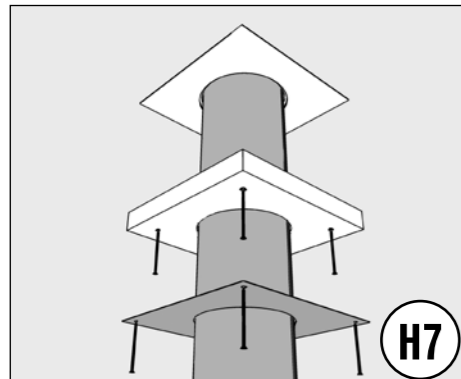
Slide part 4 (optional) and part 3 over the chimney



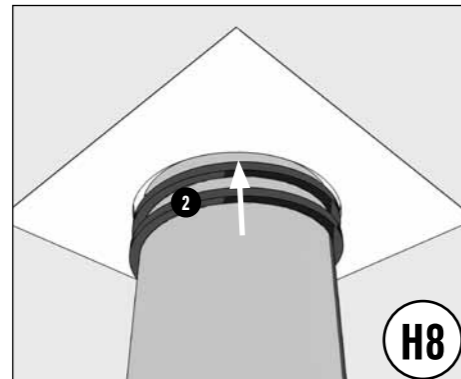
Extend the chimney through the Iso-block (part 1)



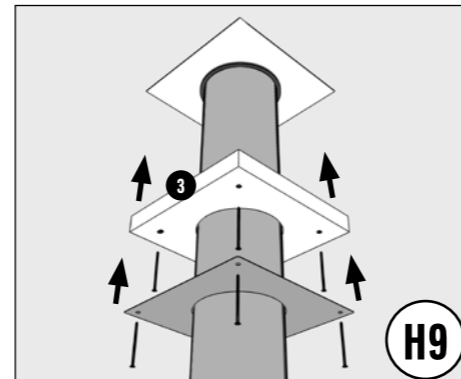
To prevent coupling problems, a possible connection inside the Iso-Block must be made in advance



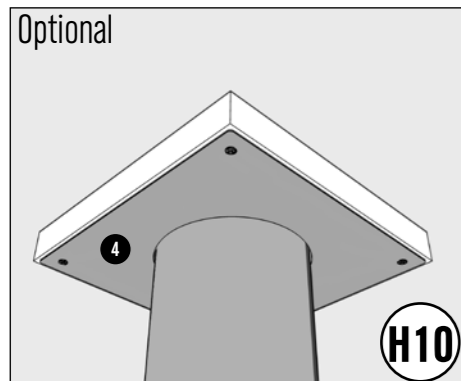
Connect the chimney under the Iso-block, place the locking band after installation of the Iso-block



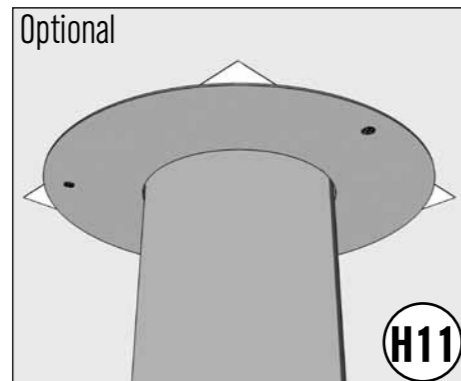
Wrap part 2 around the chimney two times and press it in the chamber



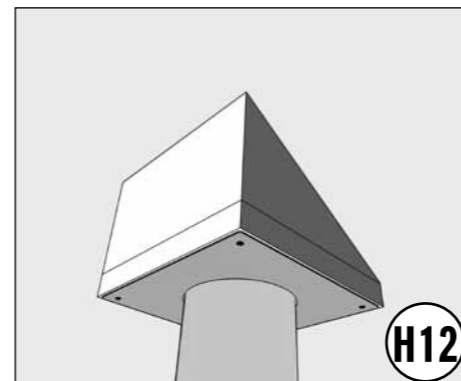
Place part 3 to hold the seal in its place



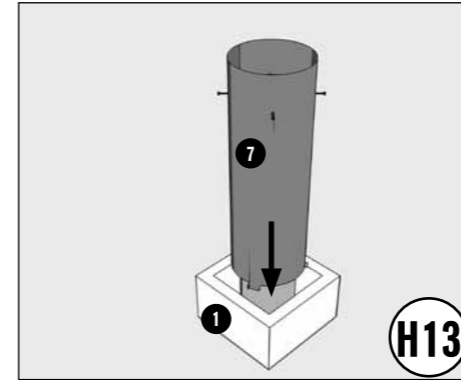
Place a square finish plate (part 4)



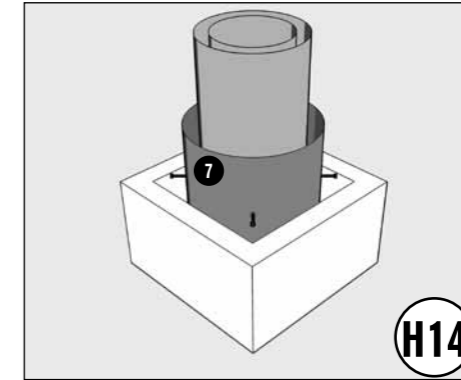
Place a rosette / the Iso-Block must be mounted flush with the ceiling



For sloped ceilings, only a square finish is possible



Slide part 7 over the chimney, inside part 1



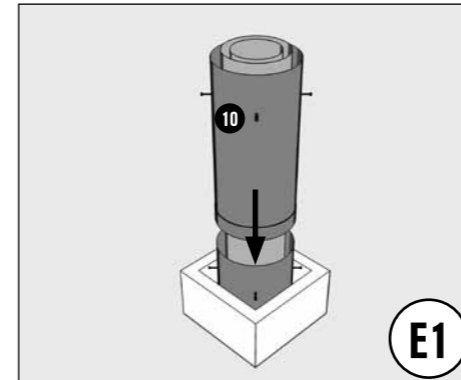
Use the bolts to centre part 7

If necessary the Iso-Block can be extended > see E1 - E5

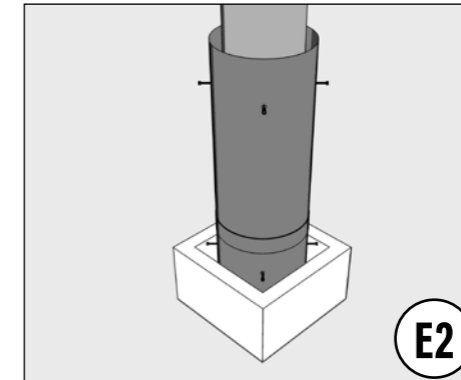
For finishing inside > see H15 - H17

For finishing outside > see F1 - F6

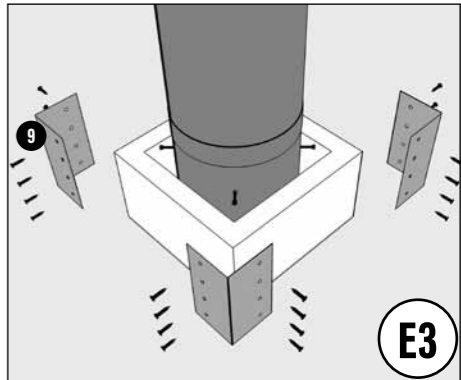
Extension set



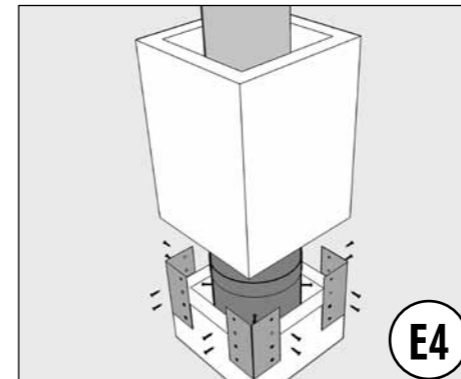
Place extension sleeve (part 10)



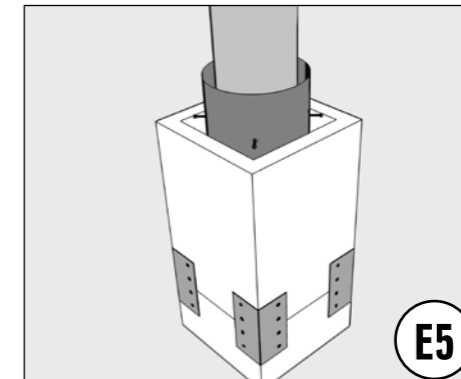
Center extension sleeve with the bolts



Fix extension brackets (part 9) to the Iso-block



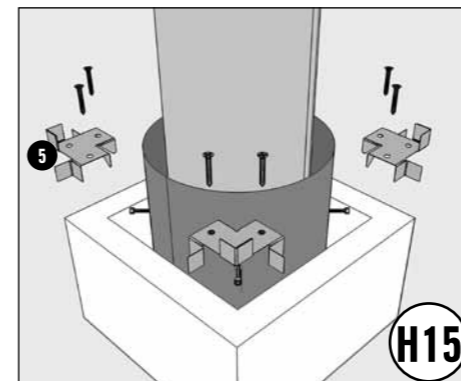
Place extension block onto the lower block



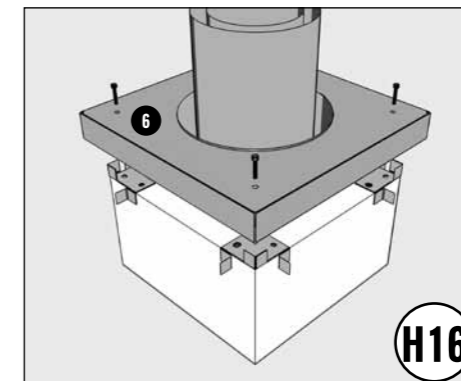
Fix the extension block

For finishing inside > see H15 - H17

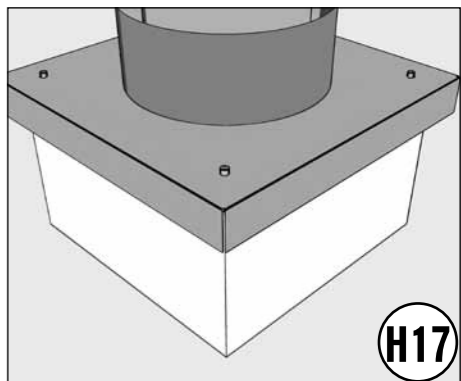
For finishing outside > see F1 - F6



Place part 5 (4x)



Place part 6



Fix part 6 with the bolts (4x)