

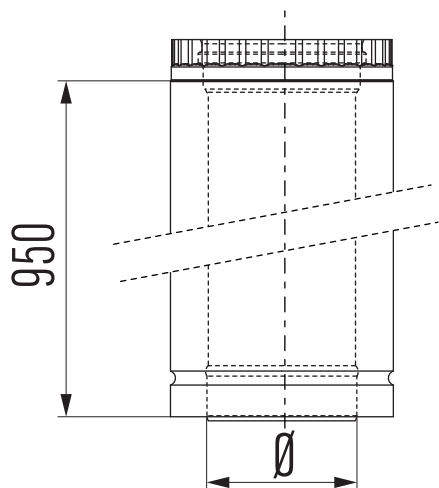
# USDOC

Adaptor US - US Design 100 cm

Übergangsstück US - US Design 100 cm

Raccord US - US Design 100 cm

Overgangsstuk US - US Design 100 cm



$\emptyset$  100 130

