



Mounting instructions EcoStream

A



1



2



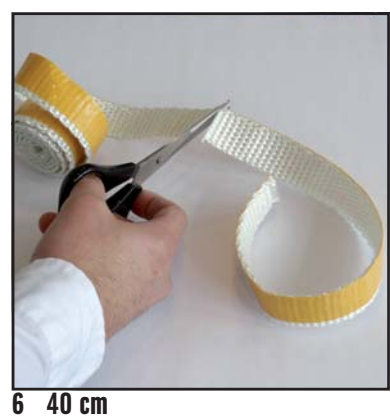
3



4 \emptyset



5



6 40 cm



7



8



9



10

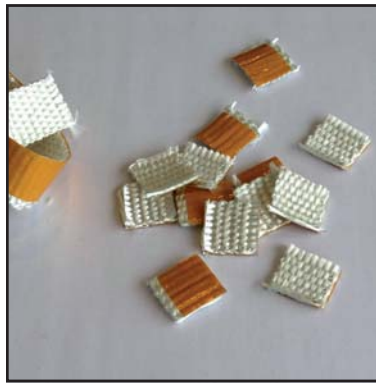


11

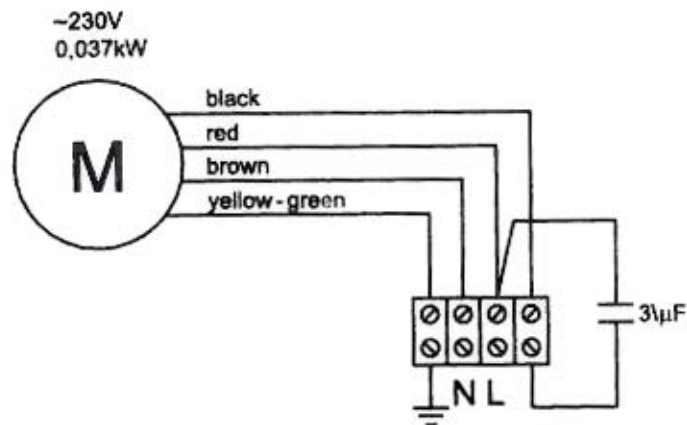


12

B



Wiring diagram



Electricity:

The EcoStream must electrically be installed by a local certified electrician according to local obligations (local rules). Ideally one uses a plug and a switch (it can be obligatory to install a certified maintenance switch). If desired one can apply a speed adjuster (to adjust the revolutions) but this will effect the cyclone cleaning negatively. It is better to use the EcoStream as on/off.

www.eontop.info

Onton B.V.

Postbus 135, 4330 AC Middelburg
Oude Veerseweg 23, 4332 SH Middelburg
Nederland
T: +31 (0)118 68 99 00
F: +31 (0)118 68 99 99
E: info.nl@eontop.info

Onton Abgastechnik GmbH

Albert-Einstein-Straße 8
51674 Wiehl
Deutschland
T: +49 (0)2261 708 -0
F: +49 (0)2261 708 90
E: info.de@eontop.info

Metaloterm France S.A.R.L.

65, Avenue du Général de Gaulle
77420 Champs-sur-Marne
France
T: +33 (0)1 64 62 12 30
F: +33 (0)1 64 62 11 08
E: info.fr@eontop.info

Onton Polska Sp. z o.o.

ul. Hallera 75
98 - 100 Wiewiórczyn
Polska
T: +48 (0)43 676 33 66
F: +48 (0)42 209 10 57
E: info.pl@eontop.info