

NEW!

EcoStream

A chimney fan with
particle filter



ECOSTREAM 





EcoStream

The EcoStream is a recent addition to EONTOP 's innovative product range. This ingenious development combines a chimney fan with a particle filter which offers numerous advantages to the users of wood stoves.

Due to the active chimney fan the draft in the flue system increases significantly. This means that even stoves with a horizontally installed flue system work properly.

The stream of air inside of the EcoStream is being transformed into a cyclone. The mix of fresh air and exhaust gas enables the EcoStream to easily take out the particles of ash due to weight differences in the flue. The principle applied by ONTOP, avoids the usage of classic and complex filtering systems.

The EcoStream is a modern and smart solution, moreover it is an innovation that underpins our philosophy:

Energy - Efficiency - Environment

EcoStream Specifications

Basic principle: Flue gas fan with **particle separator** for wood fire

Working principle: Mixing the flue gas with cold air and separates particles (in tornado without filter)

Electric drive: 37 W, 1300 RPM, 230 V

Weight (kg): 8 kg

Max. op. temp.: 250 °C

Dimensions: For chimneys from D80mm to D200mm

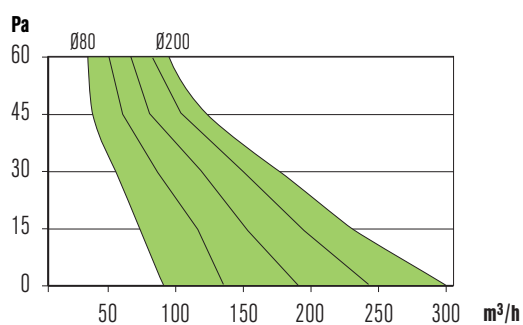
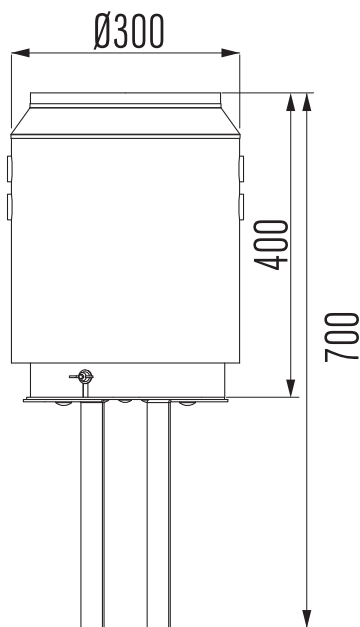
Efficiency: average 74%

Rain: Internal rain drainage to buffer

Accessories:
- Electronic speed regulator
- Spare parts E-Material



ECOSTREAM



Ø80(min.) ----- Ø200(max.)

Pa	m³/h	Pa	m³/h
0	81	0	300
15	73	15	230
30	59	30	175
45	45	45	124
60	43	60	96

ECOSTREAM

Accessoires EcoStream

STTR99 Electronic speed regulator (Not recommended for EcoStream)

STSP99 Spare parts E-material

For more information please visit our website

www.eontop.info

Electricity:

The EcoStream must electrically be installed by a local certified electrician according to local obligations (local rules). Ideally one uses a plug and a switch (it can be obligatory to install a certified maintenance switch). If desired one can apply a speed adjuster (to adjust the revolutions) but this will effect the cyclone cleaning negatively. It is better to use the EcoStream as on/off.



Ontop B.V.

Postbus 135, 4330 AC Middelburg
Oude Veerseweg 23, 4332 SH Middelburg
Nederland

T: +31 (0)118 68 99 00

F: +31 (0)118 68 99 99

E: info.nl@metaloterm.com



Ontop Abgastechnik GmbH

Albert-Einstein-Straße 8
51674 Wiehl
Deutschland

T: +49 (0)2261 708 0

F: +49 (0)2261 708 90

E: info.de@metaloterm.com



Metaloterm France S.A.R.L.

65, Avenue du Général de Gaulle
77420 Champs-sur-Marne
France

T: +33 (0)1 64 62 12 30

F: +33 (0)1 64 62 11 08

E: info.fr@metaloterm.com



Ontop Polska Sp. z o.o.

ul. Hallera 75
98 - 100 Wiewiórczyn
Polska

T: +48 (0)43 676 33 66

F: +48 (0)42 209 10 57

E: info.pl@metaloterm.com

