

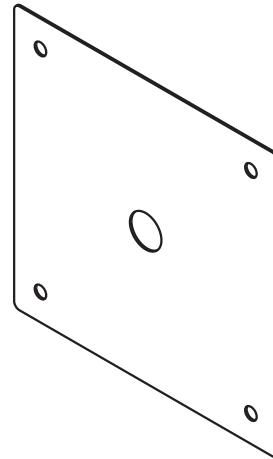
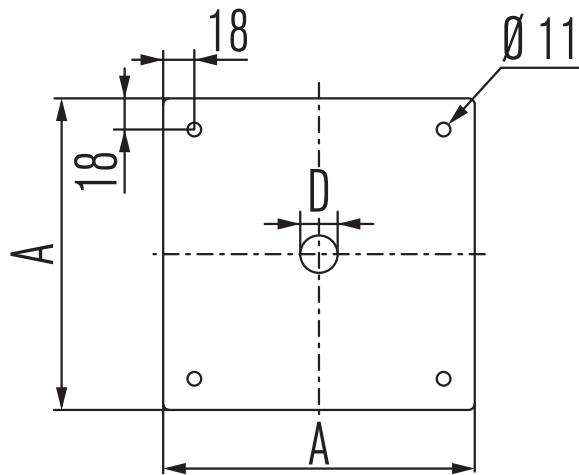
MEBP

Support plate (for MEOH)

Grundplatte (für MEOH)

Plaque de support (pour MEOH)

Grondplaat (voor MEOH)



| | | | | | | | | | | | |
|---|-----|-----|-----|-----|-----|-----|-----|-----|-----|-----|-----|
| Ø | 80 | 100 | 113 | 130 | 150 | 180 | 200 | 250 | 300 | 350 | 400 |
| A | 165 | 165 | 165 | 165 | 165 | 220 | 220 | 270 | 320 | 370 | 420 |
| D | 30 | 30 | 30 | 30 | 30 | 35 | 35 | 35 | 35 | 35 | 35 |